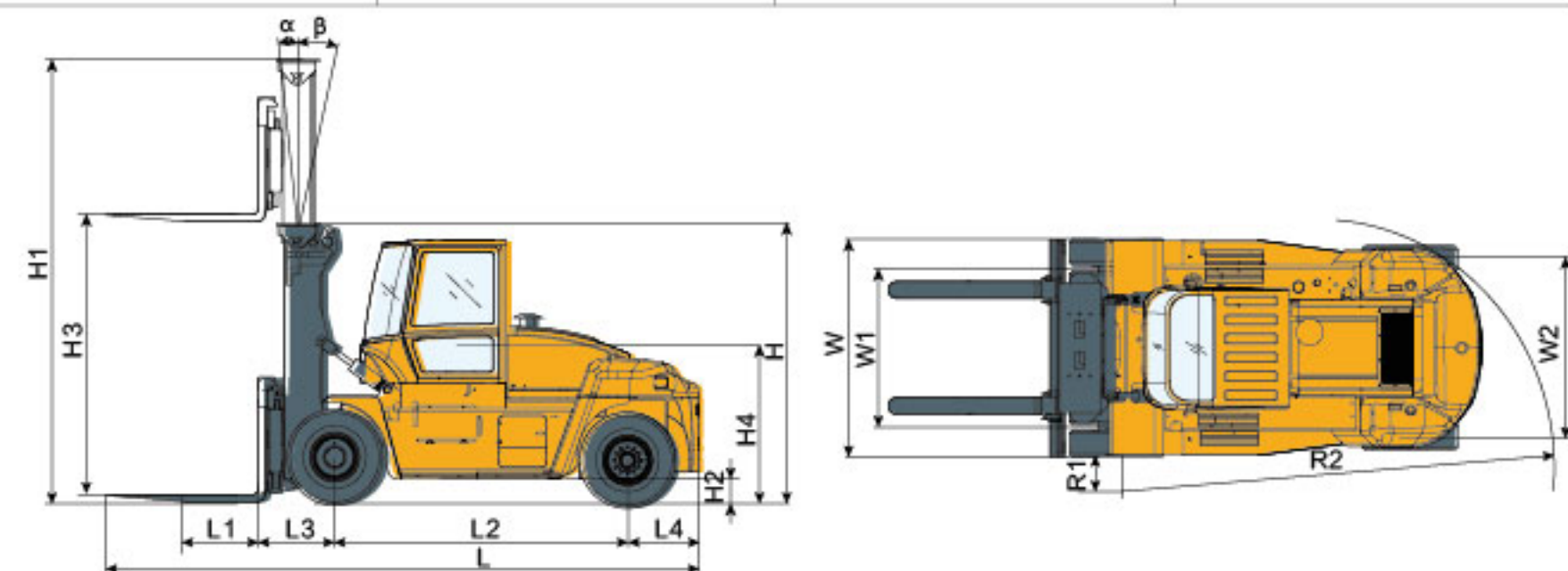
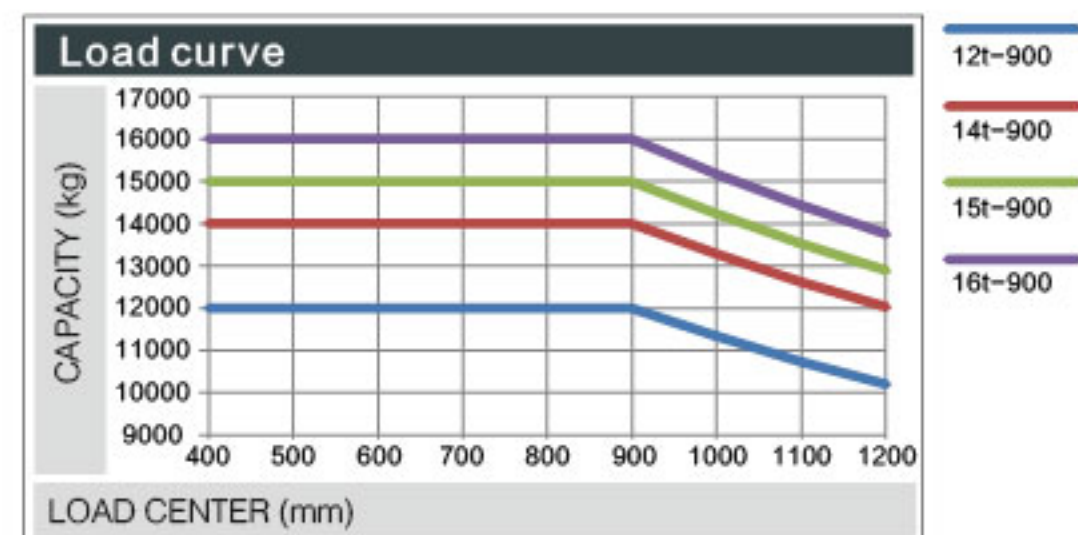
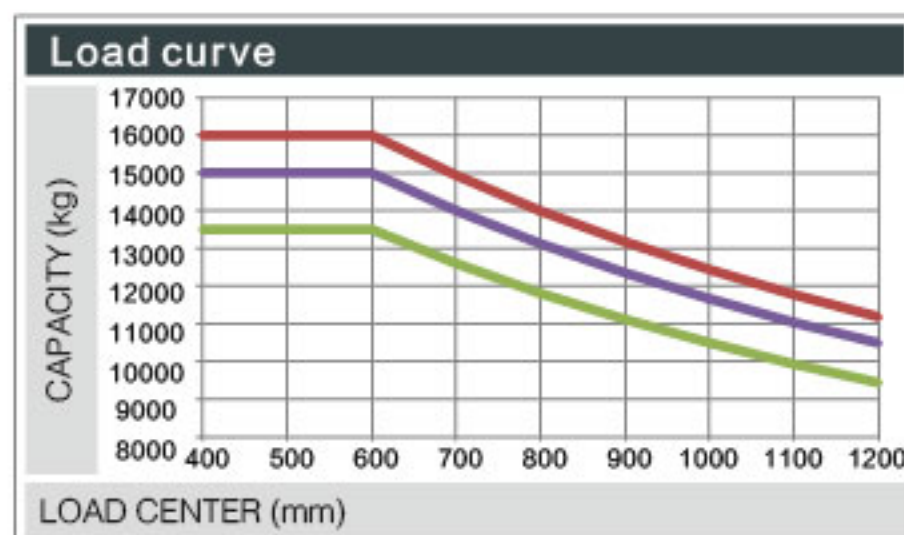


12-16t

Model		CPCD120-CZ-09IIIIG	CPCD135-CZ-06IIIIG	CPCD150-CZ-06IIIIG	CPCD160-CZ-06IIIIG	CPCD140-CZ-09IIIIG	CPCD150-CZ-09IIIIG	CPCD160-CZ-09IIIIG
Technical parameters								
Rated load	t	12	13.5	15	16	14	15	16
The mass	kg	17800	17800	18400	18800	20500	21000	21500
Maximum lifting speed (loaded/unloaded)	mm/s	360/400	360/400	350/400	350/400	370/415	370/415	370/415
Maximum speed (loaded/unloaded)	km/h	25/27	25/27	26/28	26/28	26.2/27.3	26.2/27.3	26.2/27.3
Gradeability (loaded/unloaded)	%	36.4%/40%	36.4%/40%	36.4%/40%	36.4%/40%	36.4%/40%	36.4%/40%	36.4%/40%
Noise in the cab	dB(A)	≤73.8	≤73.8	≤73.8	≤73.8	≤73.8	≤73.8	≤73.8
Size parameters								
Overall length (L)	mm	6705	6255	6265	6265	7105	7105	7105
Overall width (W)	mm	2560	2560	2560	2560	2560	2560	2560
Overall height (H)	mm	3365	3365	3380	3380	3340	3340	3340
Load center distance (L1)	mm	900	600	600	600	900	900	900
Wheelbase (L2)	mm	3250	3250	3250	3250	3500	3500	3500
Front overhang (L3)	mm	785	785	795	795	935	935	935
Rear overhang (L4)	mm	850	850	850	850	850	850	850
Minimum underground clearance (H2)	mm	260	260	250	250	275	275	275
Seat height(H4)	mm	1970	1970	1985	1985	1985	1985	1985
Turning radius (inside)(R1)	mm	220	220	220	220	220	220	220
Turning radius(outside)(R2)	mm	4450	4450	4500	4500	4750	4750	4750
Front track(W1)	mm	1888	1888	1888	1888	1895	1895	1895
Rear track(W2)	mm	2120	2120	2120	2120	2120	2120	2120
Mast height (retracted/extended)(H/H1)	mm	3365/4865	3365/4865	3380/4880	3380/4880	3340/4840	3340/4840	3340/4840
Mast lifting height(H3)	mm	3000	3000	3000	3000	3000	3000	3000
Mast tilting angle (forward/backward)(α/β)	deg	6/12	6/12	6/12	6/12	6/12	6/12	6/12
Fork dimension (length*width*thickness)	mm	1820 × 200 × 85	1370 × 200 × 85	1370 × 200 × 85	1370 × 200 × 85	1820 × 200 × 95	1820 × 200 × 95	1820 × 200 × 95
Fork adjusting range	mm	500-2370	500-2370	500-2370	500-2370	610-2150	610-2150	610-2150



ANHUI HELI CO., LTD.

ADD: NO.668 Fangxing Street, Economical Development

Zone, Hefei, P.R.China

EMAIL: chl@chlforklift.com

TEL: (86 551)63639458

FAX: (86 551)63639966

WEBSITE: <http://www.chlforklift.com>

* Our products are constantly updated and improved. Parameters and design are subject to change without prior notice.

* The configuration and color of the products in figures may be different from the actual delivered model. Please in kind prevails.

CHL

12-16t

Internal Combustion Counterbalanced Forklift Truck



A. Enduring and durable

- > Durable structure design
- > Easy and high efficient daily inspection
- > Improved protection performance
- > Improved cooling efficiency

B. ENERGY-SAVING

- > High efficient matching, forceful power
- > Hydraulic dynamic load variable control system
- > Intelligent sensitive thermal management system
- > Light type design

C. COMFORTABLE AND CONVENIENT

- > Easy get on-off
- > Smaller turning radius
- > Mast lower buffering
- > Superior view
- > More comfort driving experience

D. SAFE AND EFFICIENT

- > Better reliability
- > OPS (optional)
- > Wet type drive axle
- > High efficient working